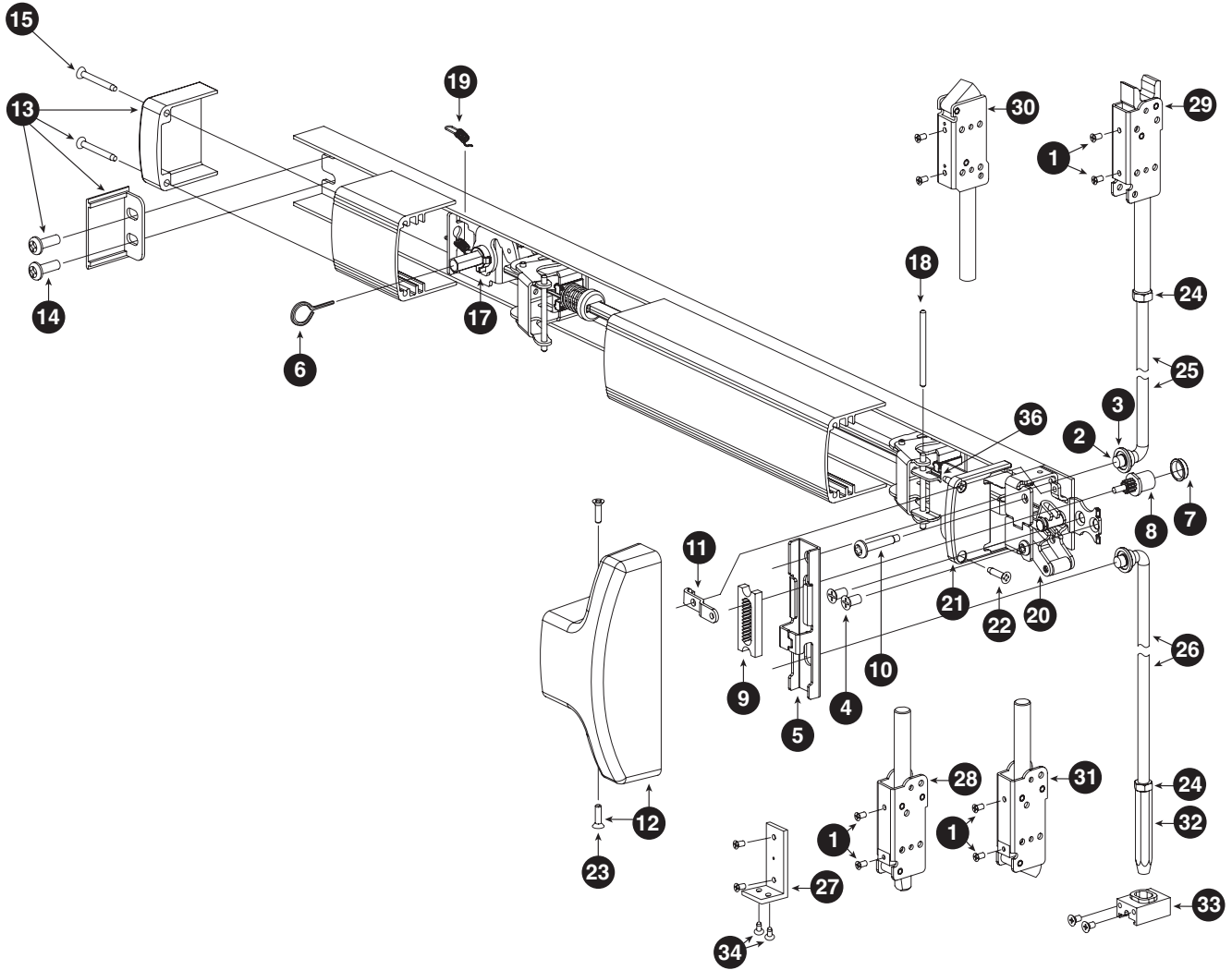


1690 Series Exploded View And Parts List



Part No.	Description	Finish	Pkg. Qty	
1	SCREW.1028	10-32 1/4" UFPHMS	US32D	10
	SCREW.1029	10-32 1/4" UFPHMS	BLACK	10
2	BUSH.109	Bearing Bushing	-	10
3	RRING.109	Retaining Ring .250"	-	25
4	SCREW.1069	Lock Stile Mounting Screw	-	10
5	BRKT.138	Lift Bracket	-	each
6	KEY.10020	Hex Dogging Key 5/32"	-	10
	PKG.150	Auxiliary Package (part 1-6)	US28	each
	PKG.151	Auxiliary Package (part 1-6)	DC13/DC35	each
7	BUSH.102	Cylinder Bushing	-	10
8	CAM.102	Pinion Cam	-	10
	4270903177	Pinion Cam	-	each
9	RETRACT.101	Rod Retractor	-	10
10	SCREW.1074	Retainer Screw	-	10
11	BRKT.478	Pinion Support Bracket	-	each
12	COVER.113	Center Case Cover Kit	-	each
13	ECAP.130	Channel/Hinge End Cap Kit	-	each

EXITS

Pushpads

Commercial /
Medium Duty

1690 Series

	Part No.	Description	Finish	Pkg. Qty
14	SCREW.1070	1/4-20 1/2" PPHMS Screw	-	10
15	SCREW.1072	#8 1.1/2" FPH TC Typ AB Screw (before September, 2004)	-	10
	SCREW.1143	8-18 1.1/4" FPH TF Typ 25	-	10
16	SCREW.1067	1/4-20 3/8" Hex Soc Set Screw	BLACK	3
	SCREW.1068	1/4-20 3/8" Hex Soc Set Screw	US28	3
17	KIT.1197	Dogging Kit		each
18	PIN.128	Push Bar Pin	-	10
19	971493-76	Dogging Spring	-	each
20	BRKTASY.107	Actuator Arm Bracket Assy	-	each
21	ECAP.129	Lock Stile Push Bar End Cap	P35	each
22	SCREW.1077	8-3/4" FPHSMS (before September, 2004)	BLACK	10
	SCREW.1141	8-18 .3/4" FPH TF Typ 25	-	10
23	SCREW.1025	8-5/8" FPHSMS (before September, 2004)	BLACK	10
24	NUT.101	Rod Jam Nut	-	10
25	4270100017	SU/PL/ES/RL Rod (Standard)	-	each
	4270102427	SU/PL/ES/RL Rod-1/4" Insulclad 7'	-	each
	4270102426	SU/PL/ES/RL Rod-1/4" Insulclad 8'	-	each
	4270100018	SU Rod 8' Door		each
	4270100172	SU Ext Rod Kit Up to 9' Dr (not shown)	-	each
	4270100197	SU Ext Rod Kit Up to 10' Dr (not shown)		each
26	4270101825	Hex Bottom Rod	-	each
27	BRKTASY.101	Latch Mtg Bracket Kit-HMD	-	each
28	● 4270100521	RL Bottom Latch	-	each
29	● 4270101806	SU Top Latch	-	each
30	● 4270100346	ES Top Latch	-	each
31	● 4270101482	PL Bottom Latch	-	each
32	BOLT.1004	Hex Bottom Bolt Beveled	-	each
33	4270107176	Hex Rod Guide Assembly	US32D	each
	4270107178	Hex Rod Guide Assembly	P35	each
	SCREW.1076	Hex Rod Guide Screws	US28	10
	SCREW.1081	Hex Rod Guide Screws	DC13/DC35	10
	PIN.110	ES Latch Pin	-	10
	PIN.109	SU/ES/PL/HH Latch Spirol Pin	-	10
34	SCREW.1037	10-32 3/8" FPHMS	-	25
	● 4270106632	SU Top Rod Assembly 7' Dr	-	each
	● 4270106633	SU Top Rod Assembly 8' Dr	-	each
	● 4270101818	SU Top Rod Assembly 9' Dr	-	each
	● 4270101819	SU Top Rod Assembly 10' Dr	-	each
	● 4270101873	ES Top Rod Assembly 7' Dr	-	each
	4270101874	ES Top Rod Assembly 8' Dr	-	each
	● 4270100522	RL Bottom Rod Assembly	-	each
	RODASY.1075	Hex Bottom Rod Assembly	-	each
	● 4270100266	PL Bottom Rod Assembly	-	each
36	BRKT.128	Pushbar Anchor Bracket	-	each

REFERENCE NOTES:

- Specify if door material other than aluminum. Complete rod and latch assembly includes (4270100017) standard rod and (Nut.101). Part numbers shown are for standard centerlines and assembled lengths.

1690 Series (continued)

Part No.	Description	Finish	Pkg. Qty
KIT.1156	NL Cylinder Assy & Auxiliary Parts (parts 1-10)	US28	each
KIT.1157	NL Cylinder Assy & Auxiliary Parts (parts 1-10)	DC13/DC35	each
CYLASY.1083	1690NL Cylinder Assembly (parts 7-10)	-	each
SCREW.1121	10-32 3/8" UFPH TF	US28	8
SCREW.1114	10-32 3/8" UFPH TF	DC13/DC35	8
BRKT.156	Center Case Bracket	-	each
SWITCH.1006	RX Switch Wire Assembly (not shown) Valid for Field Install RX Option on Devices shipped after June, 2002	-	each
050534-00	EL Potted Circuit Breaker (not shown)	-	each
971687-00	EL Solenoid 24 VDC (not shown)	-	each
PLUNGER.101	EL Plunger (not shown)	-	each
110388-00	EL Cable Assembly (not shown)	-	each

1690/1790 Pushbars and Channels Standard EL

EXT.827	EXT.830	1690/1790 Pushbar 30"	US28	each
EXT.828	EXT.825	1690/1790 Pushbar 30"	DC13	each
EXT.829	EXT.826	1690/1790 Pushbar 30"	DC35	each
EXT.2351	EXT.2323	1690/1790 Pushbar 30"	US3	each
EXT.2352	EXT.2333	1690/1790 Pushbar 30"	US10	each
EXT.2353	EXT.2338	1690/1790 Pushbar 30"	US26	each
EXT.2354	EXT.2340	1690/1790 Pushbar 30"	US26D	each
EXT.608	EXT.398	1690/1790 Pushbar 36"	US28	each
EXT.609	EXT.399	1690/1790 Pushbar 36"	DC13	each
EXT.631	EXT.400	1690/1790 Pushbar 36"	DC35	each
EXT.2355	EXT.2324	1690/1790 Pushbar 36"	US3	each
EXT.2356	EXT.2334	1690/1790 Pushbar 36"	US10	each
EXT.2357	EXT.2339	1690/1790 Pushbar 36"	US26	each
EXT.2358	EXT.2289	1690/1790 Pushbar 36"	US26D	each
EXT.646	EXT.438	1690/1790 Pushbar 42"	US28	each
EXT.736	EXT.439	1690/1790 Pushbar 42"	DC13	each
EXT.737	EXT.441	1690/1790 Pushbar 42"	DC35	each
EXT.2359	EXT.2341	1690/1790 Pushbar 42"	US3	each
EXT.2360	EXT.2345	1690/1790 Pushbar 42"	US10	each
EXT.2361	EXT.2349	1690/1790 Pushbar 42"	US26	each
EXT.2362	EXT.2350	1690/1790 Pushbar 42"	US26D	each
EXT.738	EXT.442	1690/1790 Pushbar 48"	US28	each
EXT.739	EXT.443	1690/1790 Pushbar 48"	DC13	each
EXT.740	EXT.444	1690/1790 Pushbar 48"	DC35	each
EXT.2363	EXT.2298	1690/1790 Pushbar 48"	US3	each
EXT.2364	EXT.2303	1690/1790 Pushbar 48"	US10	each
EXT.2365	EXT.2304	1690/1790 Pushbar 48"	US26	each
EXT.2366	EXT.2294	1690/1790 Pushbar 48"	US26D	each
EXT.175		1690 Channel 27.138	US28	each
EXT.177		1690 Channel 27.138	DC13	each
EXT.741		1690 Channel 33.138	US28	each
EXT.742		1690 Channel 33.138	DC13	each
EXT.743		1690 Channel 33.138	DC35	each
EXT.744		1690 Channel 39.138	US28	each
EXT.745		1690 Channel 39.138	DC13	each
EXT.746		1690 Channel 39.138	DC35	each
EXT.747		1690 Channel 45.138	US28	each
EXT.748		1690 Channel 45.138	DC13	each
EXT.749		1690 Channel 45.138	DC35	each
4270109291		1690 Channel 32.250	US28	each
4270109295		1690 Channel 44.250	US28	each
4270109293		1690 Channel 44.250	DC35	each
EXT.178		1690 Channel 27.138	DC35	each
4270109297		1690 Channel 44.250	DC35	each
4270109423		1690 Channel 38.250	US28	each
4270109424		1690 Channel 38.250	DC13	each
4270109425		1690 Channel 38.250	DC35	each
EXT.101		1790 Channel 33.580	US28	each
EXT.102		1790 Channel 39.580	US28	each
EXT.103		1790 Channel 45.580	US28	each
4270109571		1790 Channel 33.580	DC13	each
4270109572		1790 Channel 39.580	DC13	each
4270109574		1790 Channel 33.580	DC35	each
4270109575		1790 Channel 39.580	DC35	each
4270109576		1790 Channel 45.580	DC35	each

EXITS

Pushpads

Commercial /
Medium Duty

1690 Series