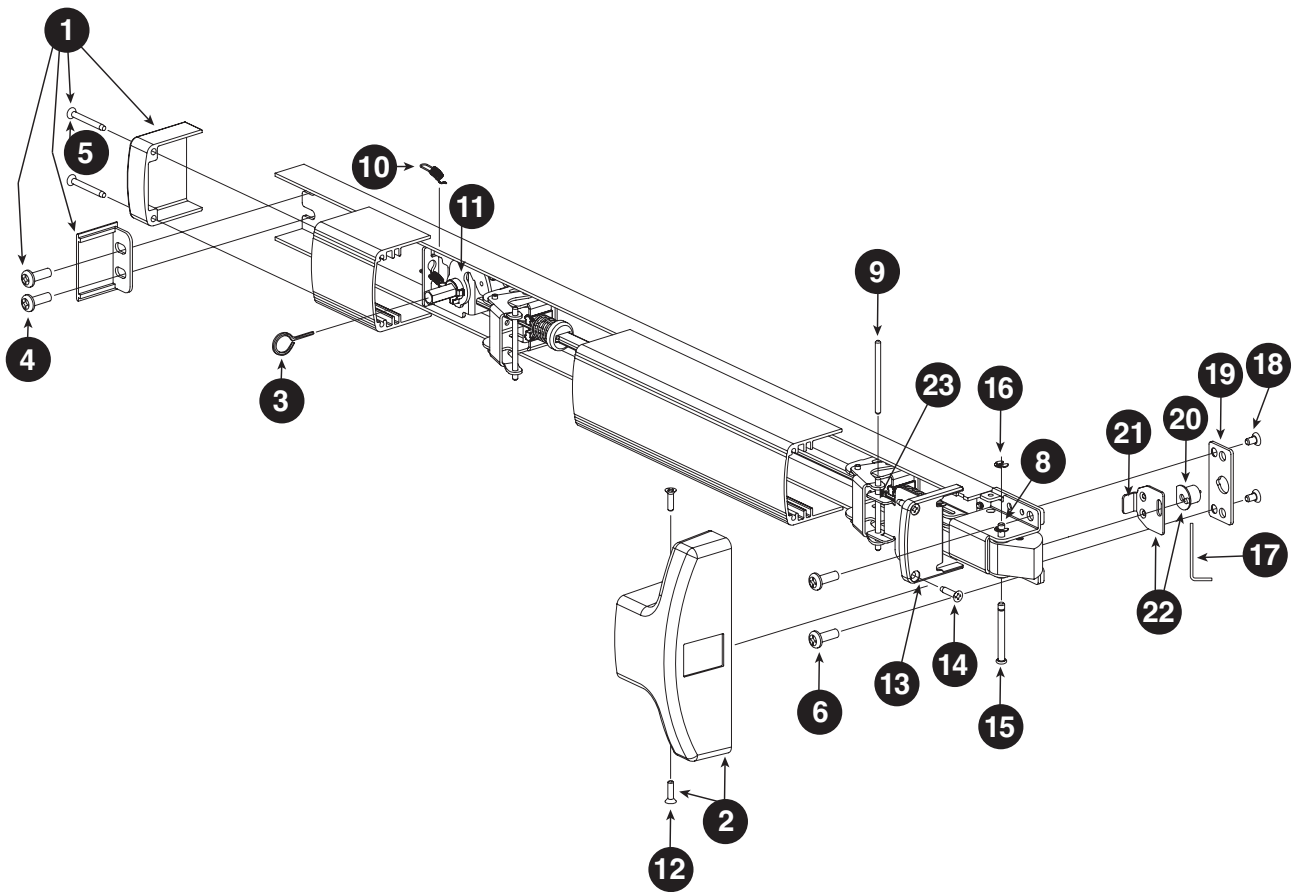


**EXITS**  
 Pushpads  
 Commercial / Medium Duty  
 1790 Series



	Part No.	Description	Finish	Pkg. Qty
1	ECAP.130	Channel/Hingeside End Cap Kit	-	each
2	COVER.120	Center Case Cover Kit	-	each
3	KEY.10020	Hex Dogging Key 5/32"	-	10
4	SCREW.1070	1/4-20 1/2" PPHMS Screw	-	10
5	SCREW.1072	#8 1.1/2" FPH TC Typ AB Screw (before September, 2004)	-	10
	SCREW.1143	8-18 1.1/4" FPH TF Typ 25	-	10
6	SCREW.1075	1/4-20 3/4" PPHMS Screw	-	10
	SCREW.1121	10-32 3/8" UFPH TF	US28	8
7	PKG.133	Auxiliary Package	-	each
8	LBOLT.105	Latch Assembly	-	each
	SWITCH.1006	RX Switch Wire Assembly (not shown) Valid for Field Install RX Option on Devices shipped after June, 2002	-	each
	050534-00	EL Potted Circuit Breaker (not shown)	-	each
	971687-00	EL Solenoid 24VDC (not shown)	-	each
	PLUNGER.101	EL Plunger (not shown)	-	each
	110388-00	EL Cable Assembly (not shown)	-	each
9	PIN.128	Pushbar Pin	-	10
10	971493-76	Dogging Spring	-	each
11	KIT.1197	Dogging Kit	US28	each
12	SCREW.1025	8 x 5/8" FPHTC Typ 25 (before July, 2006)	-	10
13	ECAP.129	Lock Stile End Cap	DC35	each
14	SCREW.1077	8-3/4" FPHSMS (before September, 2004)	BLACK	10
	SCREW.1141	8-18 .3/4" FPH TF Typ 25	-	10
15	969467-89	Latch Pin	-	each
17	4270109548	Short Arm Allen Wrench	-	each
	SCREW.1150	10-32 3/8" UFPH MS	-	10
19	SPACER.107	1790 Channel Spacer	-	each
20	CAMASY.101	Drive Bushing	-	each
21	SLIDER.101	Slider	-	each
22	CYLASY.1151	1790 NL/HB Cylinder Assembly	-	each
23	BRKT.128	Pushbar Anchor Bracket	-	each
<b>1790 Pushbars on page 269</b>				