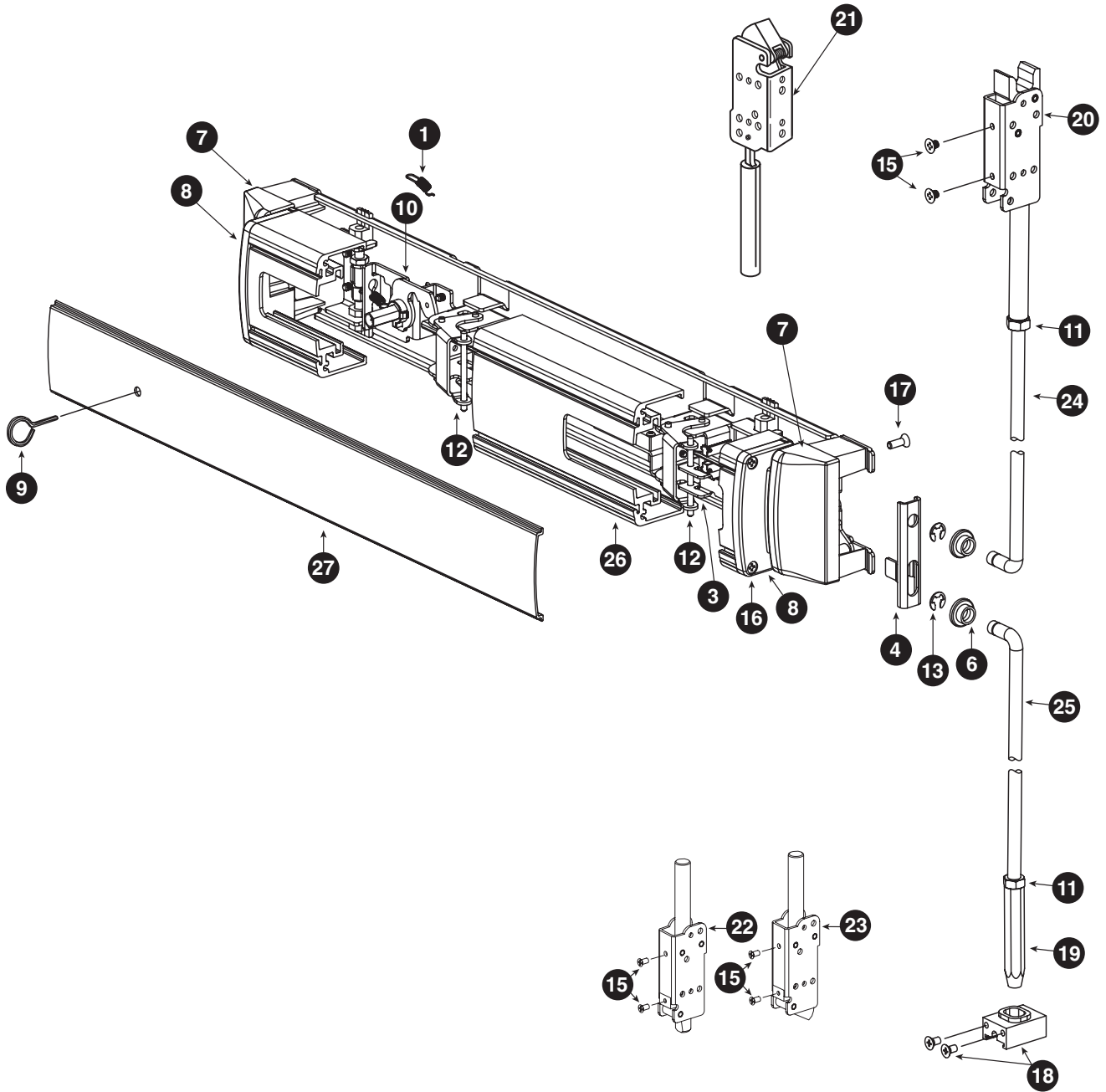


EXITS

Recessed

Concealed Vertical
Mid-Panel

2390 Series



	Part No.	Description	Finish	Pkg Qty
1	971493-76	Dogging Spring	-	each
2	AXLE.1006	Lift Lever Axle	-	each
3	BRKT.137	Pushbar Anchor Bracket	-	each
4	BRKT.143	Lift Bracket	-	each
5	BRKTASY.107	Actuator Arm Bracket Assembly	-	each
6	BUSH.109	Bearing Bushing	-	10
7	COVER.127	Fixed Cover	-	each
8	ECAP.143	Moving Pushbar End Cap	-	each
9	KEY.10020	Hex Dogging Key 5/32"	-	10
10	KIT.1197	Dogging Kit	-	each
11	NUT.101	Rod Jam Nut	-	10
12	PIN.128	Pushbar Pin	-	10
	PKG.134	Mounting Package (parts 4,6,9,13,15 on page 105)	US32D	each
	PKG.135	Mounting Package (parts 4,6,9,13,15 on page 105)	DC35	each
13	RRING.109	Retaining Ring .250	-	25
15	SCREW.1028	10-32 1/4" UFPHMS	US32D	10
	SCREW.1029	10-32 1/4" UFPHMS	BLACK	10
16	★ SCREW.1077	#8 3/4" FPH TF AB Screw (before September, 2004)	-	10
	SCREW.1141	8-18 .3/4" FPH TF Typ 25	-	10
17	SCREW.1088	12-14 1/2" UFPH MS Typ 25 Screw	-	10
	SCREW.1121	10-32 3/8" UFPH TF	US28	8
	SCREW.1114	10-32 3/8" UFPH TF	DC13/DC35	8
	SCREW.1076	Hex Rod Guide Screws	US28	10
	SCREW.1081	Hex Rod Guide Screws	DC13/DC35	10
	EXTROD.1001	Extension Rod Kit (not shown)	-	each
18	4270107176	Hex Rod Guide Assembly	US32D	each
	4270107178	Hex Rod Guide Assembly	P35	each
19	BOLT.1004	Hex Bottom Bolt-Beveled	-	each
20	4270101806	SU Top Latch	-	each
21	4270100346	ES Top Latch	-	each
22	4270100521	RL Bottom Latch	-	each
23	4270101482	PL Bottom Latch	-	each
	PIN.110	ES Latch Pin	-	10
	PIN.109	SU/ES/PL/HH Latch Spirol Pin	-	10
	● SWITCH.1006	RX Switch Wire Assembly (not shown) Valid for Field Install RX Option on Devices shipped after June, 2002	-	each
	110388-00	EL Cable Assembly (not shown)	-	each
	050534-00	EL Potted Circuit Breaker (not shown)	-	each
	971687-00	EL Solenoid 24VDC (not shown)	-	each
	PLUNGER.101	EL Plunger (not shown)	-	each
24	ROD.1043	Top Rod 34.000", CL=42.5, DH=83.1875"	-	each
	4270103324	Top Rod 35.500", CL=41.25, DH=83.1875"	-	each
	ROD.1082	Top Rod 39.000", CL=37.875, DH=83.1875"	-	each
	ROD.1036	Top Rod 36.500", CL=40, DH=83.1875"	-	each
25	ROD.1080	Bottom Rod 40.000", CL=42.500"	-	each
	ROD.1044	Bottom Rod 38.500", CL=41.250"	-	each
	4270100017	Bottom Rod 35.125", CL=37.875"	-	each
	ROD.1011	Bottom Rod 37.500", CL=40"	-	each
	KIT.1128	2390 LBR KIT	-	each

REFERENCE NOTES:

- RX Switch Kit valid for Field Install RX option on devices shipped after June, 2002
- ★ For Devices shipped before September, 2004.

2390 Series (continued)

	Part No.	Description	Finish	
26	EXT.3000	Pushbar 21"	US28	
	EXT.3001	Pushbar 21"	DC13	
	EXT.3002	Pushbar 21"	DC35	
	EXT.3003	Pushbar 21"	Champagne	
	EXT.3004	Pushbar 24"	US28	
	EXT.3005	Pushbar 24"	DC13	
	EXT.3006	Pushbar 24"	DC35	
	EXT.3007	Pushbar 24"	Champagne	
	27	EXT.3008	Coverplate 21"	US28
		EXT.3009	Coverplate 21"	DC13
		EXT.3010	Coverplate 21"	DC35
		EXT.3011	Coverplate 21"	Champagne
		EXT.3012	Coverplate 24"	US28
		EXT.3013	Coverplate 24"	DC13
EXT.3014		Coverplate 24"	DC35	
EXT.3015		Coverplate 24"	Champagne	
EXT.3050		EL Coverplate 21"	US28	
EXT.3051		EL Coverplate 21"	DC13	
EXT.3052		EL Coverplate 21"	DC35	
EXT.3053		EL Coverplate 21"	Champagne	
EXT.3054		EL Coverplate 24"	US28	
EXT.3055		EL Coverplate 24"	DC13	
EXT.3056	EL Coverplate 24"	DC35		
EXT.3057	EL Coverplate 24"	Champagne		
Recessed	CHASY.147	Channel Assembly 36" Door (supplied for field sizing)	US28	
	CHASY.160	Channel Assembly 36" Door (supplied for field sizing)	DC13	
	CHASY.107	Channel Assembly 36" Door (supplied for field sizing)	DC35	
	CHASY.158	Channel Assembly 36" Door (supplied for field sizing)	Champagne	
	CHASY.108	Channel Assembly 48" Door (supplied for field sizing)	US28	
	CHASY.109	Channel Assembly 48" Door (supplied for field sizing)	DC13	
	CHASY.125	Channel Assembly 48" Door (supplied for field sizing)	DC35	
	CHASY.207	Channel Assembly 48" Door (supplied for field sizing)	Champagne	
	Concealed Vertical Mid-Panel	EXT.2927	Filler Plate 16.50", 42" Door (supplied for field sizing)	US28
		EXT.2949	Filler Plate 16.50", 42" Door (supplied for field sizing)	DC13
		EXT.2950	Filler Plate 16.50", 42" Door (supplied for field sizing)	DC35
		EXT.2951	Filler Plate 16.50", 42" Door (supplied for field sizing)	Champagne
		EXT.440	Filler Plate 19.50", 48" Door (supplied for field sizing)	US28
		EXT.445	Filler Plate 19.50", 48" Door (supplied for field sizing)	DC13
EXT.450		Filler Plate 19.50", 48" Door (supplied for field sizing)	DC35	
EXT.2244		Filler Plate 19.50", 48" Door (supplied for field sizing)	Champagne	
2390 Series		● RODASY.10001	Top Rod Assy RHR AL=40.176", CL=42.500", DH=83.1875"	
		● RODASY.10002	Top Rod Assy RHR AL=41.426", CL=41.250", DH=83.1875"	
		● RODASY.10003	Top Rod Assy RHR AL=44.801", CL=37.875", DH=83.1875"	
		● RODASY.10004	Top Rod Assy RHR AL=42.676", CL=40", DH=83.1875"	
		● RODASY.10005	Top Rod Assy RHR AL=41.489", CL=41.250", DH=83.1875"	
		● RODASY.10006	Top Rod Assy LHR AL=40.176", CL=42.500", DH=83.1875"	
	● RODASY.10007	Top Rod Assy LHR AL=41.426", CL=41.250", DH=83.1875"		
	● RODASY.10008	Top Rod Assy LHR AL=44.801", CL=37.875", DH=83.1875"		
	● RODASY.10009	Top Rod Assy LHR AL=42.676", CL=40", DH=83.1875"		
	● RODASY.10010	Top Rod Assy LHR AL=41.489", CL=41.250", DH=83.1875"		
	● RODASY.10011	Bottom Rod Assy AL=41.877", CL=42.500"		
	● RODASY.10012	Bottom Rod Assy AL=40.627", CL=41.250"		
	● RODASY.10013	Bottom Rod Assy AL=37.252", CL=37.875"		
	● RODASY.10014	Bottom Rod Assy AL=39.377", CL=40"		

REFERENCE NOTES:

- Complete rod and latch assembly includes standard rod (4270100017) and (Nut.101).