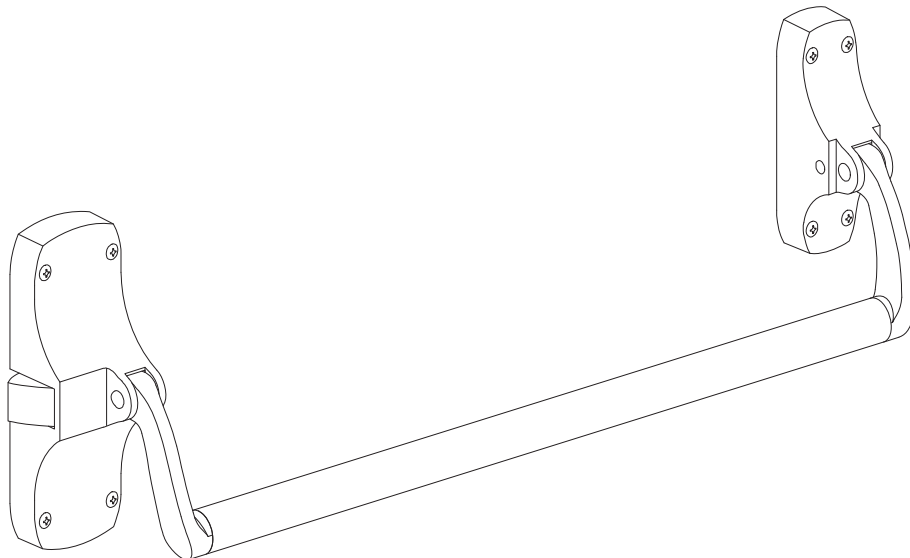


VON DUPRIN®

88 Series Rim Exit Device

Service manual



INDEX

General Information

Introduction	2
How to Order	2
Part Number Changes	2
88 Rim Series Finishes	3
Outside Trim Functions	3
Strikes	3

88 Rim Series Device Parts

Crossbars	4
Lever Arm Kits	5
Lever Arm Parts Packages	6
End Case Kit and End Case Parts	8
Center Case Parts: EO, DT, and NL Panic Exit Devices	10
Center Case Parts: EO and NL Fire Exit Devices	12
Center Case Parts: TP Panic Exit Devices	14
Center Case Parts: TP Fire Exit Devices	16
Center Case Parts: K/L Panic Exit Devices	18
Center Case Parts: K/L Fire Exit Devices	20
Backplate Conversion Kits	22
Center Case Kits	23

INTRODUCTION

This manual contains a listing of replaceable parts and assemblies for the 88 Series Panic and FEH Devices.

HOW TO ORDER

Some parts are sold separately. Other items are available as part of a kit or multiple quantity package. For the best possible service when ordering replacement parts or assemblies, please provide the following information:

- Part number or assembly number
- Description
- Quantity needed
- Finish desired (if available finished)
- Date of original purchase (if known)

To find out the name of your local Von Duprin distributor or sales representative, contact:

Von Duprin Division
Allegion
2720 Tobey Drive
Indianapolis, IN 46219
Phone: (877) 671-7011

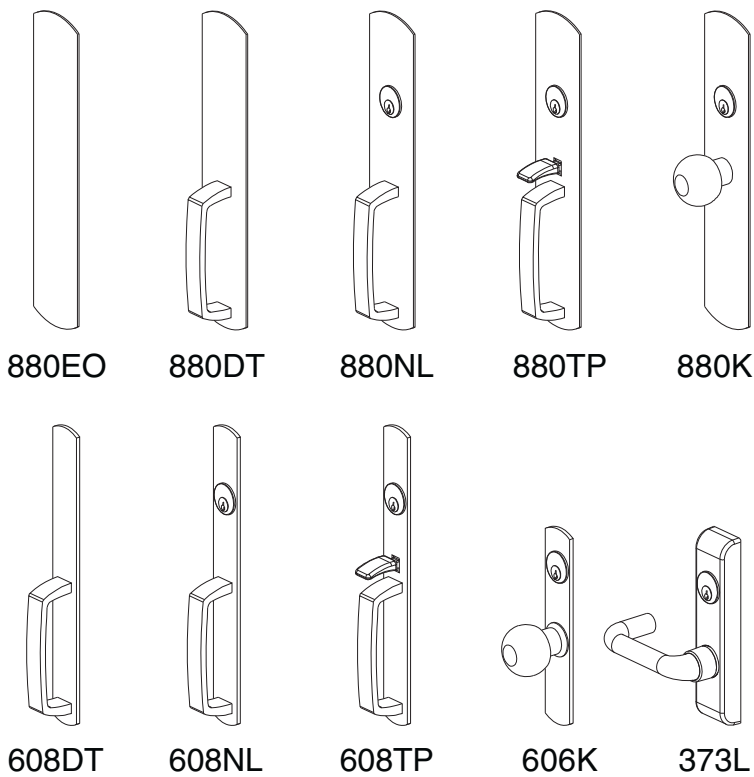
PART NUMBER AND AVAILABILITY CHANGES

This manual was designed to help illustrate the replacement parts and kits that are available for sale. Because of changes to the product and/or manufacturing process, part numbers and availability can change over time.

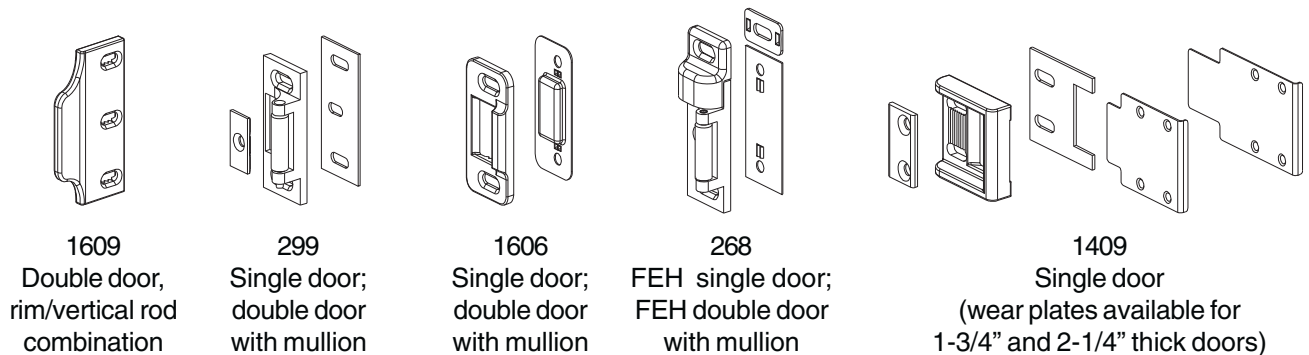
88 RIM SERIES FINISHES

US Number	BHMA Number	Color
US3	605	Brass, polished
US4	606	Brass, dull
US10	612	Bronze, dull
US10B	613	Brass, dull (oxidized)
US26	625	Chrome, polished
US26D	626	Chrome, dull
SPBLK	693	Gloss Black Powder Coat

OUTSIDE TRIM FUNCTIONS



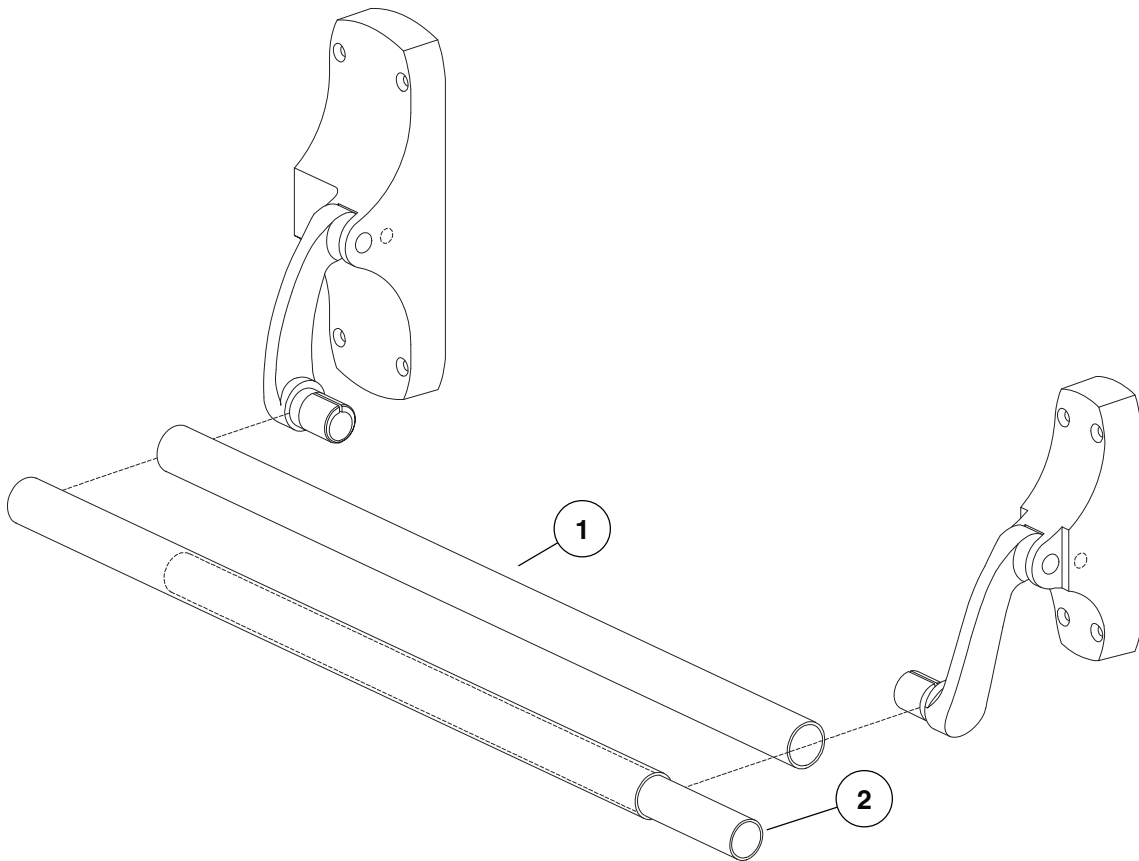
STRIKES



CROSSBARS

Item No.	Part No.	Description	Quantity	Finish
1	050004	42" Standard Crossbar Kit	1	X
1	050005	42" Knurled Crossbar Kit	1	X
2	050459	37" Crossbar Reinforcement Kit	1	

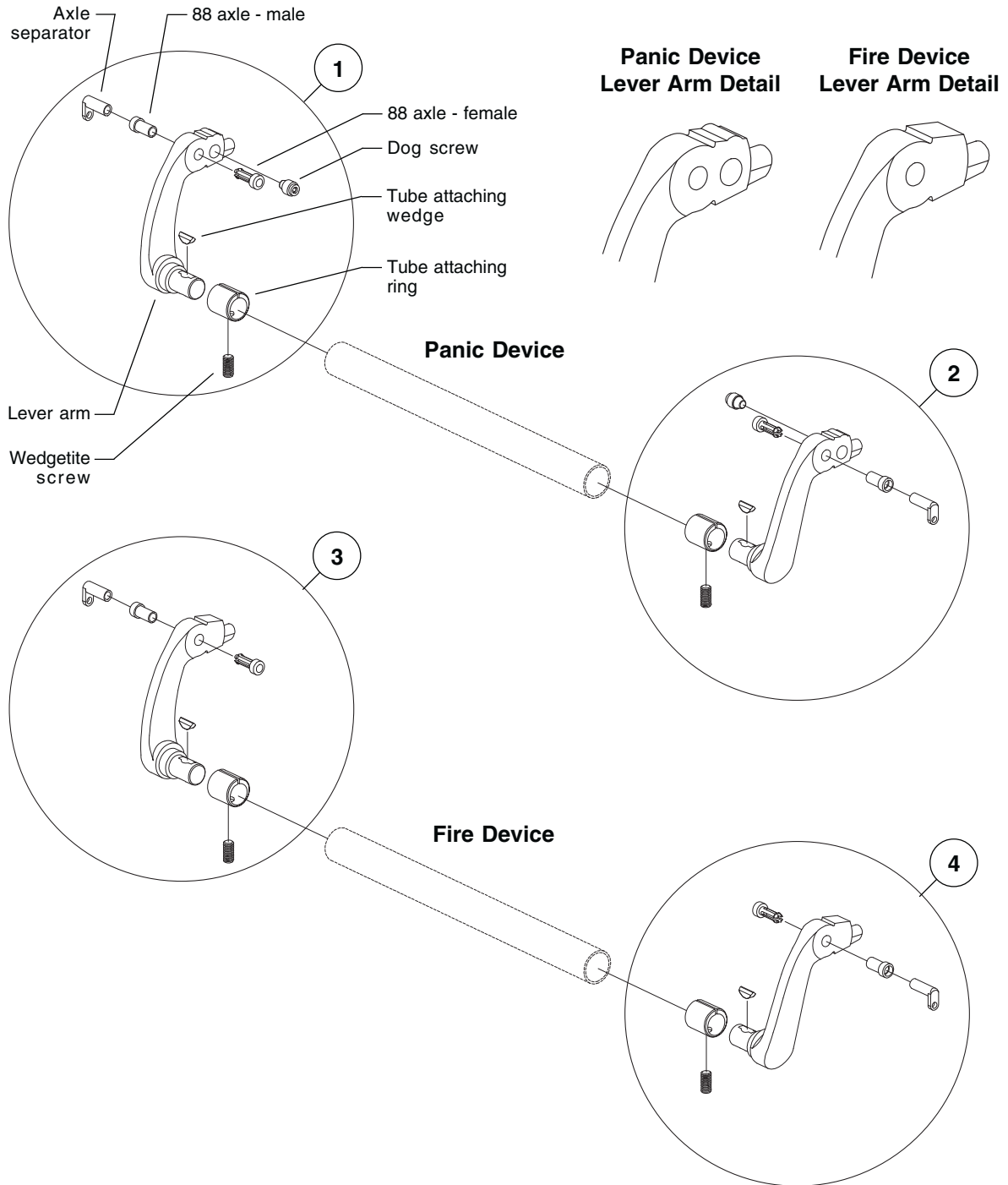
X in "Finish" column designates finished item; specify finish when ordering.



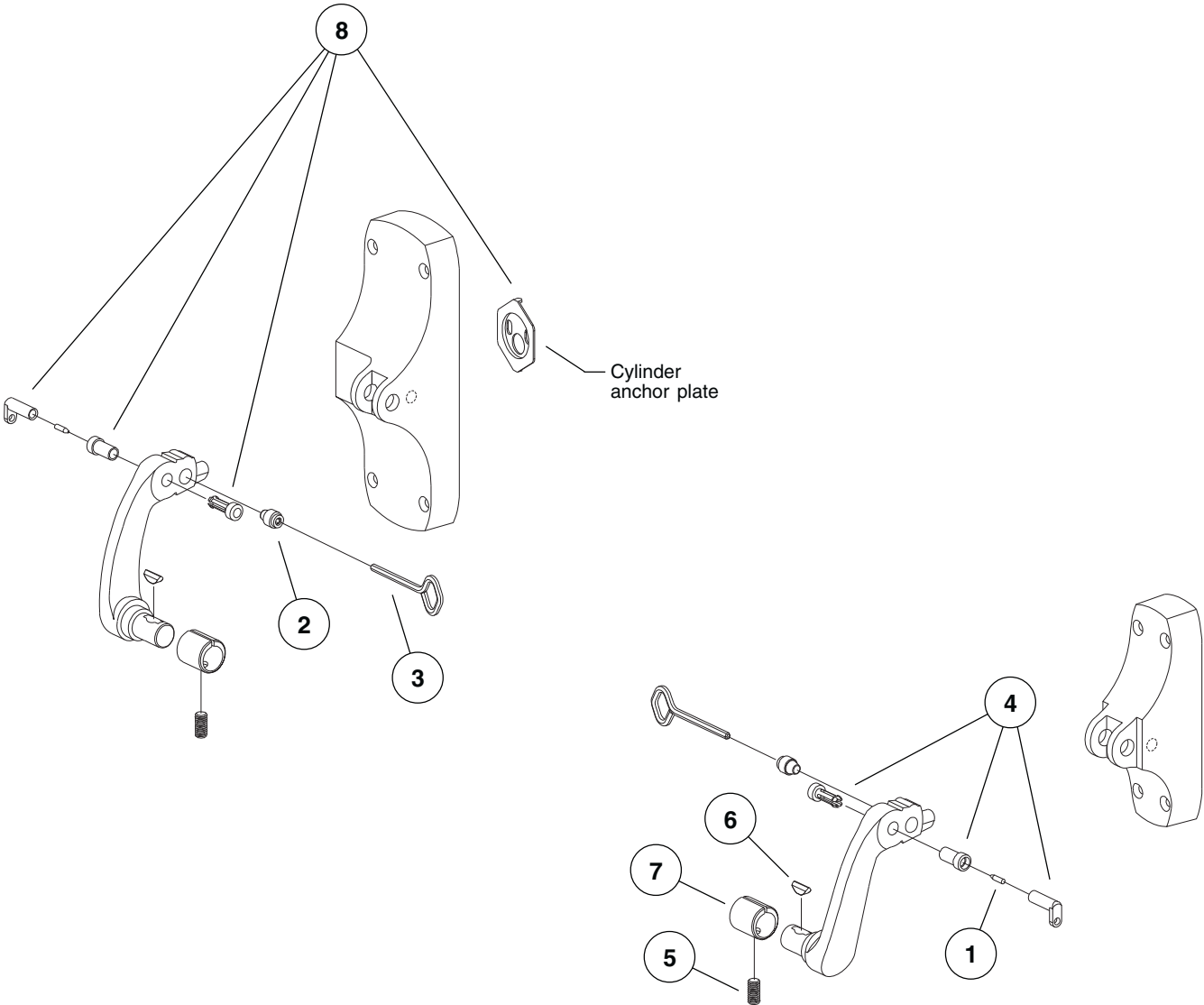
LEVER ARM KITS

Item No.	Part No.	Description	Quantity	Finish
1	050439	88 R/M/V LH Lever Arm Kit	1	X
2	050438	88 R/M/V RH Lever Arm Kit	1	X
3	050441	88-F Rim LH Lever Arm Kit	1	X
4	050440	88-F Rim RH Lever Arm Kit	1	X

X in "Finish" column designates finished item; specify finish when ordering.



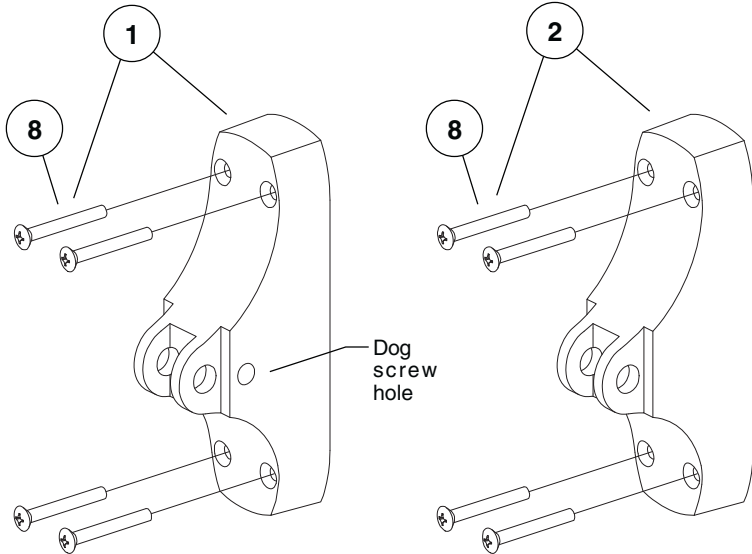
LEVER ARM PARTS PACKAGES



LEVER ARM PARTS PACKAGES

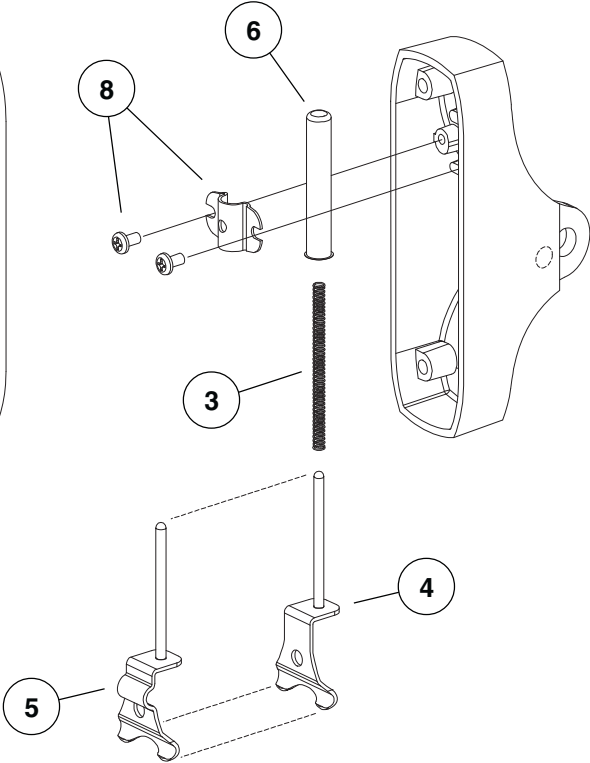
Item No.	Part No.	Description	Quantity	Finish
1	090007	Axle Security Pin Pkg.	10	
1	033022	Axle Security Pin Pkg.	50	
2	090004	Dog Screw Pkg.	2	
2	090083	Dog Screw Pkg.	10	
3	090005	227 Dog Key 5/32" Pkg.	2	
3	090085	227 Dog Key 5/32" Pkg.	10	
4	090006	Lever Arm Axle Pkg.		
		88 Axle Separator	2	
		88 Axle - Male	2	
		88 Axle - Female	2	
4	090082	Lever Arm Axle Pkg.		
		88 Axle Separator	10	
		88 Axle - Male	10	
		88 Axle - Female	10	
5	090008	Wedgetite Screw Pkg.	2	
5	090081	Wedgetite Screw Pkg.	30	
6	090020	Crossbar Tube Attaching Wedge Pkg.	2	
7	090021	Crossbar Tube Attaching Ring Pkg.	2	
8	103865	88 Lever Arm Axle Pkg.		
		Cyliner Anchor Plate	1	
		88 Axle Separator	1	
		88 Axle - Male	2	
		88 Axle - Female	2	

END CASE KIT AND END CASE PARTS



Panic Device

Fire Device

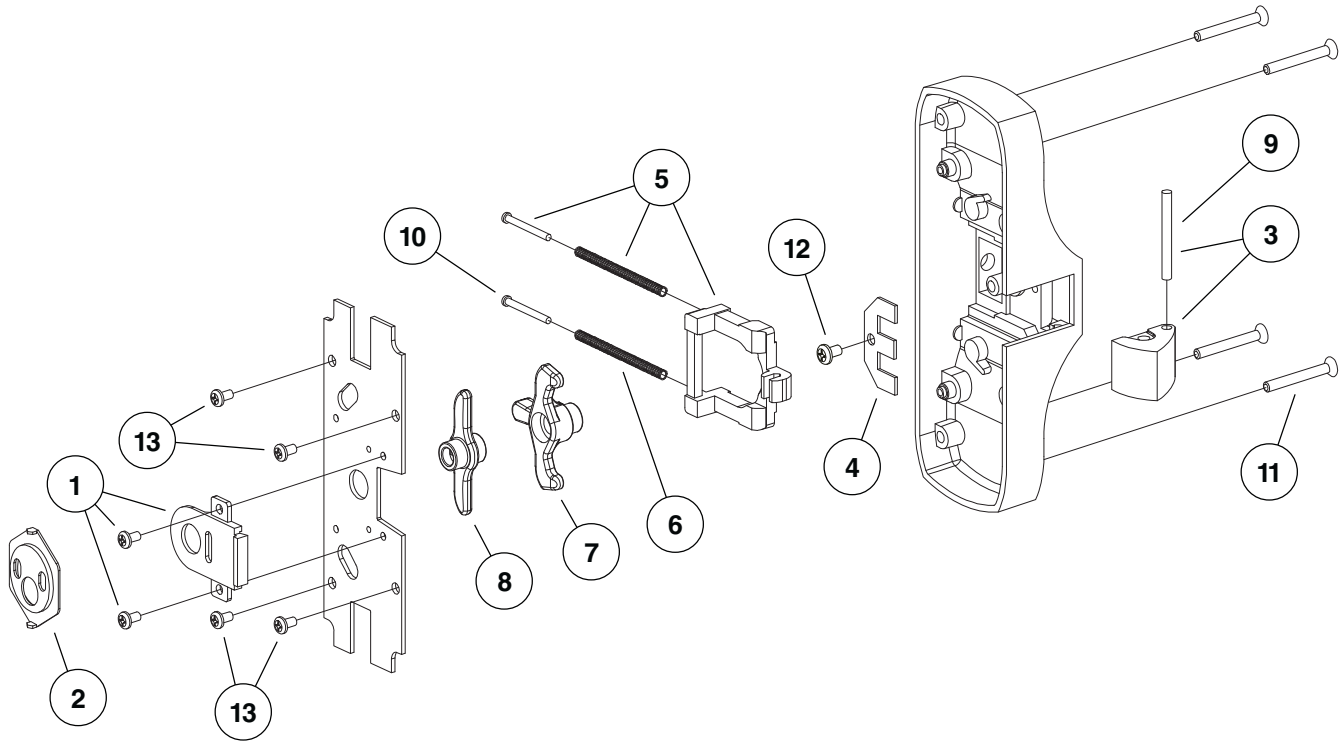


END CASE KIT AND END CASE PARTS

Item No.	Part No.	Description	Quantity	Finish
1	050435	88 R/M/V End Case Kit		X
		88 R/M/V End Case	1	
		10-24 x 1-1/2" OPHMS	4	
		10-24 x 2" OPHMS	4	
		10-12 x 10-24 x 2" OPHCS	4	
2	050437	88-F Rim End Case Kit		X
		88-F End Case	1	
		10-24 x 1-1/2" OPHMS	4	
		10-24 x 2" OPHMS	4	
		10-12 x 10-24 x 2" OPHCS	4	
3	090003	88 End Case Spring Pkg.	2	
3	090080	88 End Case Spring Pkg.	10	
4	050451	88 End Case Spring Stop Kit	1	
5	050452	88-F End Case Spring Stop Kit	1	
6	050476	88/88-F End Case Spring Tube	1	
7	050477	88/88-F Spring Tube Bracket w/Screws Kit		
		88/88-F Spring Tube Bracket	1	
		88/88-F Spring Tube Bracket Screws	2	
8	900503	88 Center or End Case Mtg. Pkg. (CS and MS screws)		X
		10-24 x 1-1/2" OPHMS	4	
		10-24 x 2" OPHMS	4	
		10-12 x 10-24 x 2" OPHCS	4	
8	900504	88 Center or End Case Mtg. Pkg. (CS screws)		X
		10-12 x 10-24 x 2" OPHCS	4	
8	900505	88 Center or End Case Mtg. Pkg. (MS screws 1-3/4" door)		X
		10-24 x 1-1/2" OPHMS	4	
8	900506	88 Center or End Case Mtg. Pkg. (MS screws 2-1/4" door)		X
		10-24 x 2" OPHMS	4	

X in "Finish" column designates finished item; specify finish when ordering.

CENTER CASE PARTS: EO, DT, AND NL PANIC EXIT DEVICES

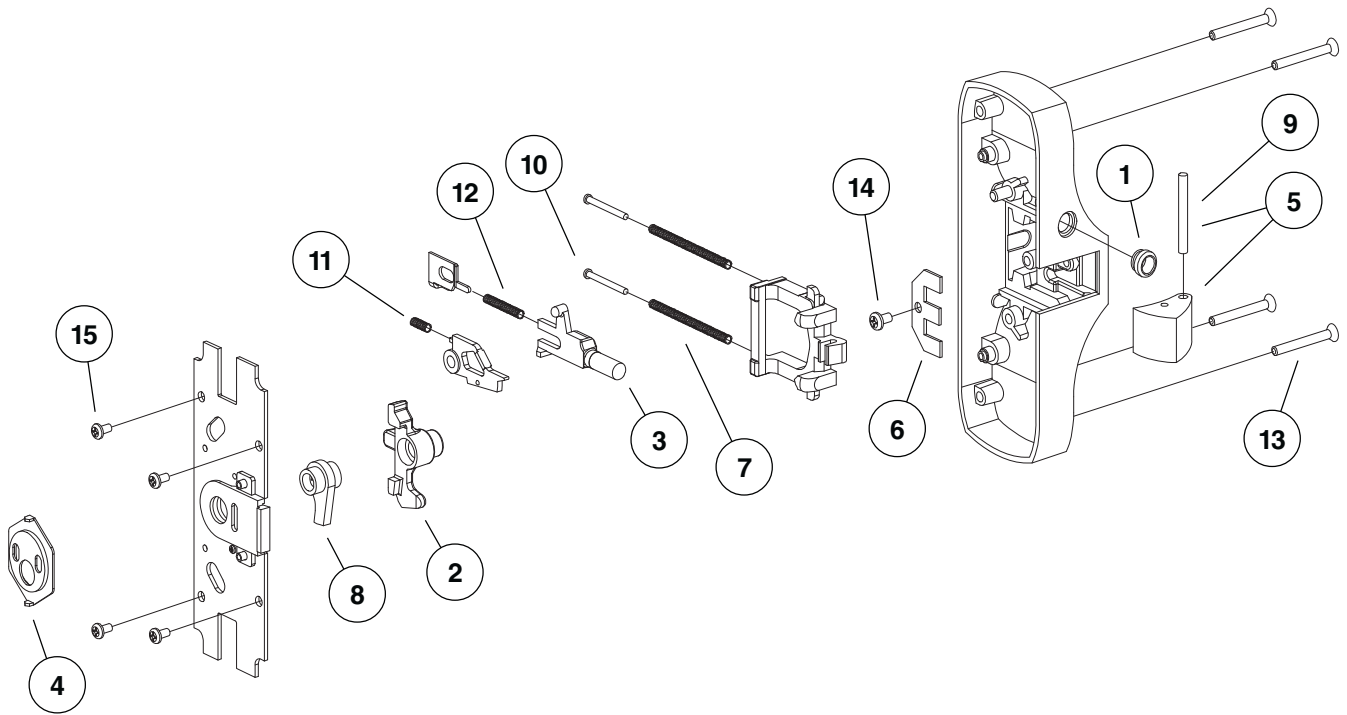


CENTER CASE PARTS: EO, DT, AND NL PANIC EXIT DEVICES

Item No.	Part No.	Description	Quantity	Finish
1	050260	88 Rim Auxiliary Backplate Kit		X
		88 Rim Auxiliary Backplate	1	
		8-32 x 5/16" PPHMS	2	
2	050331	88 Cylinder Anchor Plate	1	
3	050497	88 Latchbolt w/Axle Kit		
		88 Rim Latchbolt	1	
		88 Rim Latchbolt Axle	1	
4	050499	88 Rim Latch Retainer Plate	1	
5	050500	88 Rim Latch Tail, Spring, Rivet Kit		
		88 Rim Latch Tail Rivet	2	
		88 Rim Latch Tail Spring	2	
		88 Rim Latch Tail	1	
6	050393	88 Rim Latch Tail Spring Pkg.	10	
7	050501	88 Rim Master Cam	1	
8	050502	88NL Cylinder Cam	1	
9	090001	88 Rim Latch Bolt Axle Pkg.	4	
10	090002	88 Rim Center Case Rivet Pkg.	10	
11	900503	88 Center or End Case Mtg. Pkg. (CS and MS screws)		X
		10-24 x 1-1/2" OPHMS	4	
		10-24 x 2" OPHMS	4	
		10-12 x 10-24 x 2" OPHCS	4	
11	900504	88 Center or End Case Mtg. Pkg. (CS screws)		X
		10-12 x 10-24 x 2" OPHCS	4	
11	900505	88 Center or End Case Mtg. Pkg. (MS screws 1-3/4" door)		X
		10-24 x 1-1/2" OPHMS	4	
11	900506	88 Center or End Case Mtg. Pkg. (MS screws 2-1/4" door)		X
		10-24 x 2" OPHMS	4	
12	900610	88 Rim Latch Retainer Plate Screw Pkg.		
		10-24 x 5/16" PPHMS Thd. Cut	10	
13	900613	88 Backplate Screw Pkg.		
		8-32 x 3/8" PPH TF	4	

X in "Finish" column designates finished item; specify finish when ordering.

CENTER CASE PARTS: EO AND NL FIRE EXIT DEVICES

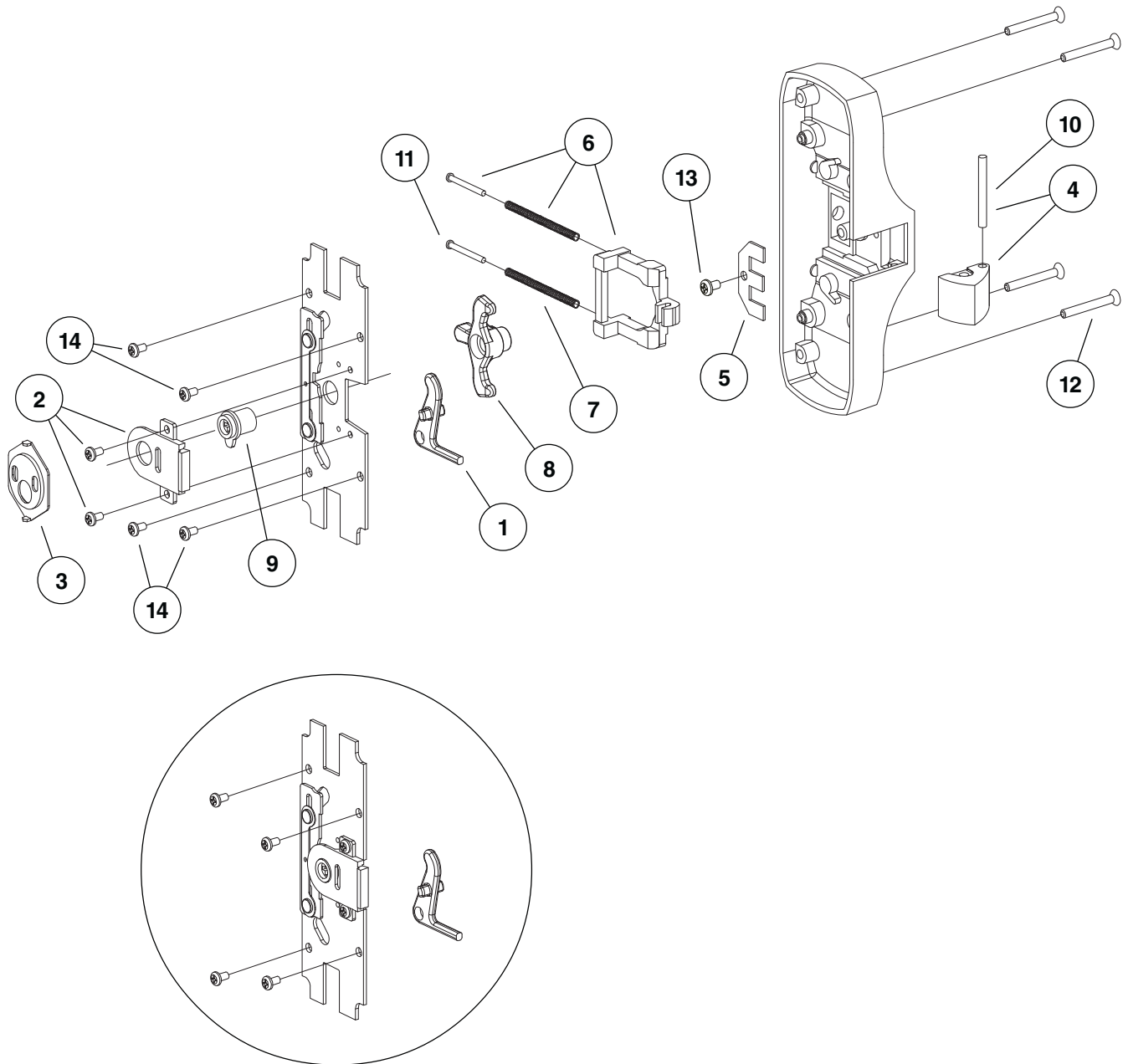


CENTER CASE PARTS: EO AND NL FIRE EXIT DEVICES

Item No.	Part No.	Description	Quantity	Finish
1	050272	88-F Auxiliary Bolt Bushing	1	
2	050274	88-F Master Cam LH (shown)	1	
2	050273	88-F Master Cam RH (not shown)	1	
3	050276	88-F Auxiliary Bolt LH (shown)	1	
3	050275	88-F Auxiliary Bolt RH (not shown)	1	
4	050331	88 Cylinder Anchor Plate	1	
5	050498	88-F Latchbolt w/Axle Kit		
		88-F Rim Latchbolt	1	
		88 Rim Latchbolt Axle	1	
6	050499	88 Rim Latch Retainer Plate	1	
7	050393	88 Rim Latch Tail Spring Pkg.	10	
8	050503	88NL-FCylinder Cam	1	
9	090001	88 Rim Latch Bolt Axle Pkg.	4	
10	090002	88 Rim Center Case Rivet Pkg.	10	
11	090009	88-F Rim Gravity Dog Spring Pkg.	5	
12	090017	88-F Auxiliary Bolt Return Spring Pkg.	5	
13	900503	88 Center or End Case Mtg. Pkg. (CS and MS screws)		X
		10-24 x 1-1/2" OPHMS	4	
		10-24 x 2" OPHMS	4	
		10-12 x 10-24 x 2" OPHCS	4	
13	900504	88 Center or End Case Mtg. Pkg. (CS screws)		X
		10-12 x 10-24 x 2" OPHCS	4	
13	900505	88 Center or End Case Mtg. Pkg. (MS screws 1-3/4" door)		X
		10-24 x 1-1/2" OPHMS	4	
13	900506	88 Center or End Case Mtg. Pkg. (MS screws 2-1/4" door)		X
		10-24 x 2" OPHMS	4	
14	900610	88 Rim Latch Retainer Plate Screw Pkg.		
		10-24 x 5/16" PPHMS Thd. Cut	10	
15	900613	88 Backplate Screw Pkg.		
		8-32 x 3/8" PPH TF	4	

X in "Finish" column designates finished item; specify finish when ordering.

CENTER CASE PARTS: TP PANIC EXIT DEVICES



Part No. 050102, 88CK-TP Conversion Kit;
replaces item No. 1, 88 Thumbpiece Lift Replacement Kit,
for 88TP devices shipped after June 2000

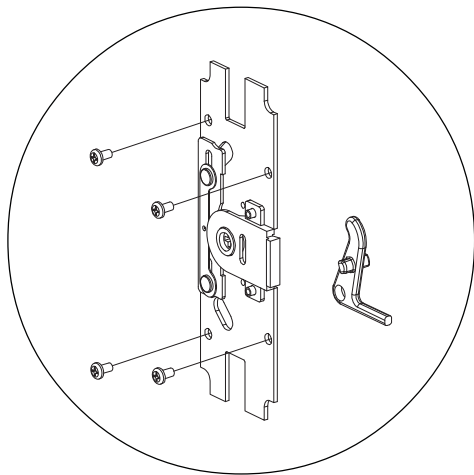
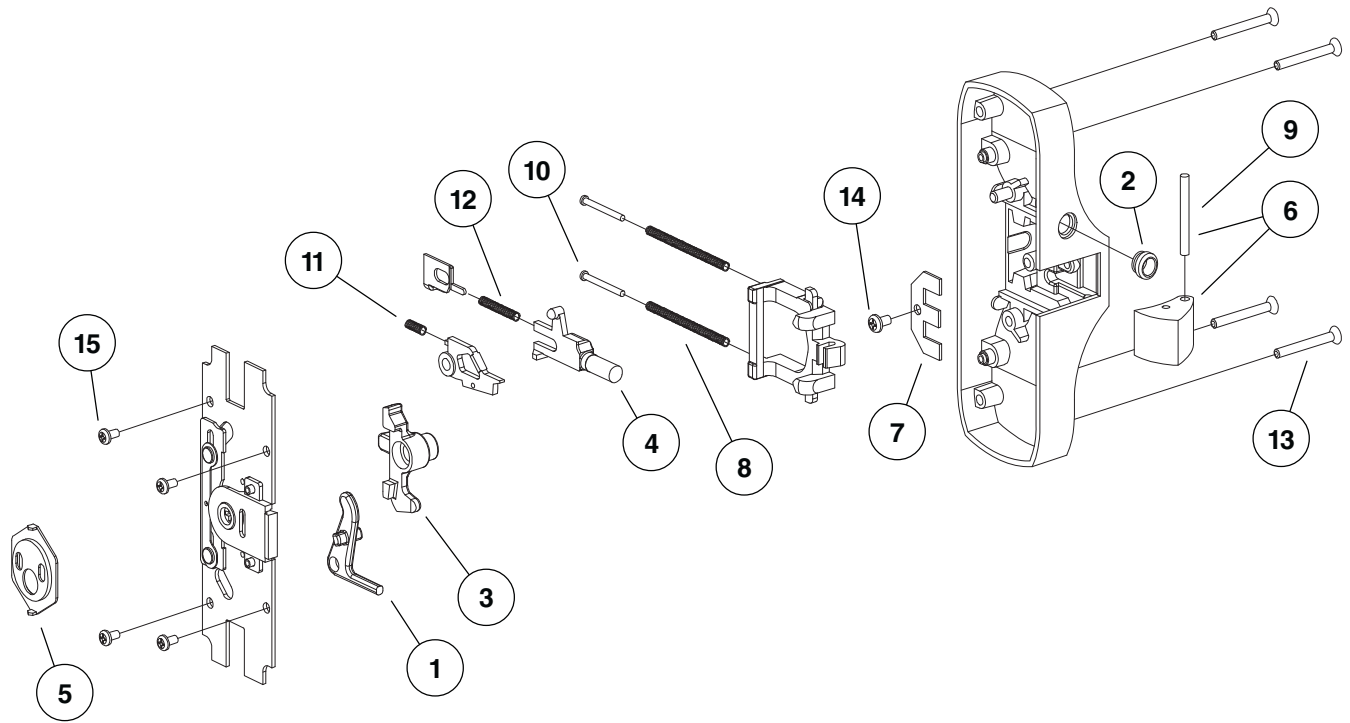
CENTER CASE PARTS: TP PANIC EXIT DEVICES

Item No.	Part No.	Description	Quantity	Finish
1	050019	88 Thumbpiece Lift Replacement Kit *	1	
2	050260	88 Rim Auxiliary Backplate		X
		88 Rim Auxiliary Backplate	1	
		8-32 x 5/16" PPHMS	2	
3	050331	88 Cylinder Anchor Plate	1	
4	050497	88 Latchbolt w/Axle Kit		
		88 Rim Latchbolt	1	
		88 Rim Latchbolt Axle	1	
5	050499	88 Rim Latch Retainer Plate	1	
6	050500	88 Rim Latch Tail, Spring, Rivet Kit		
		88 Rim Latch Tail Rivet	2	
		88 Rim Latch Tail Spring	2	
		88 Rim Latch Tail	1	
7	050393	88 Rim Latch Tail Spring Pkg.	10	
8	050501	88 Rim Master Cam	1	
9	050508	88TP/TP-F Cylinder Cam	1	
10	090001	88 Rim Latch Bolt Axle Pkg.	4	
11	090002	88 Rim Center Case Rivet Pkg.	10	
12	900503	88 Center or End Case Mtg. Pkg. (CS and MS screws)		X
		10-24 x 1-1/2" OPHMS	4	
		10-24 x 2" OPHMS	4	
		10-12 x 10-24 x 2" OPHCS	4	
12	900504	88 Center or End Case Mtg. Pkg. (CS screws)		X
		10-12 x 10-24 x 2" OPHCS	4	
12	900505	88 Center or End Case Mtg. Pkg. (MS screws 1-3/4" door)		X
		10-24 x 1-1/2" OPHMS	4	
12	900506	88 Center or End Case Mtg. Pkg. (MS screws 2-1/4" door)		X
		10-24 x 2" OPHMS	4	
13	900610	88 Rim Latch Retainer Plate Screw Pkg.		
		10-24 x 5/16" PPHMS Thd. Cut	10	
14	900613	88 Backplate Screw Pkg.		
		8-32 x 3/8" PPH TF	4	

X in "Finish" column designates finished item; specify finish when ordering.

* For 88TP devices shipped after June 2000; for devices shipped before June 2000, use replacement part No. 050102.

CENTER CASE PARTS: TP FIRE EXIT DEVICES



Part No. 050107, 88CK-TP-F Conversion Kit;
replaces item No. 1, 88 Thumbpiece Lift Replacement Kit,
for 88TP-F devices shipped after June 2000

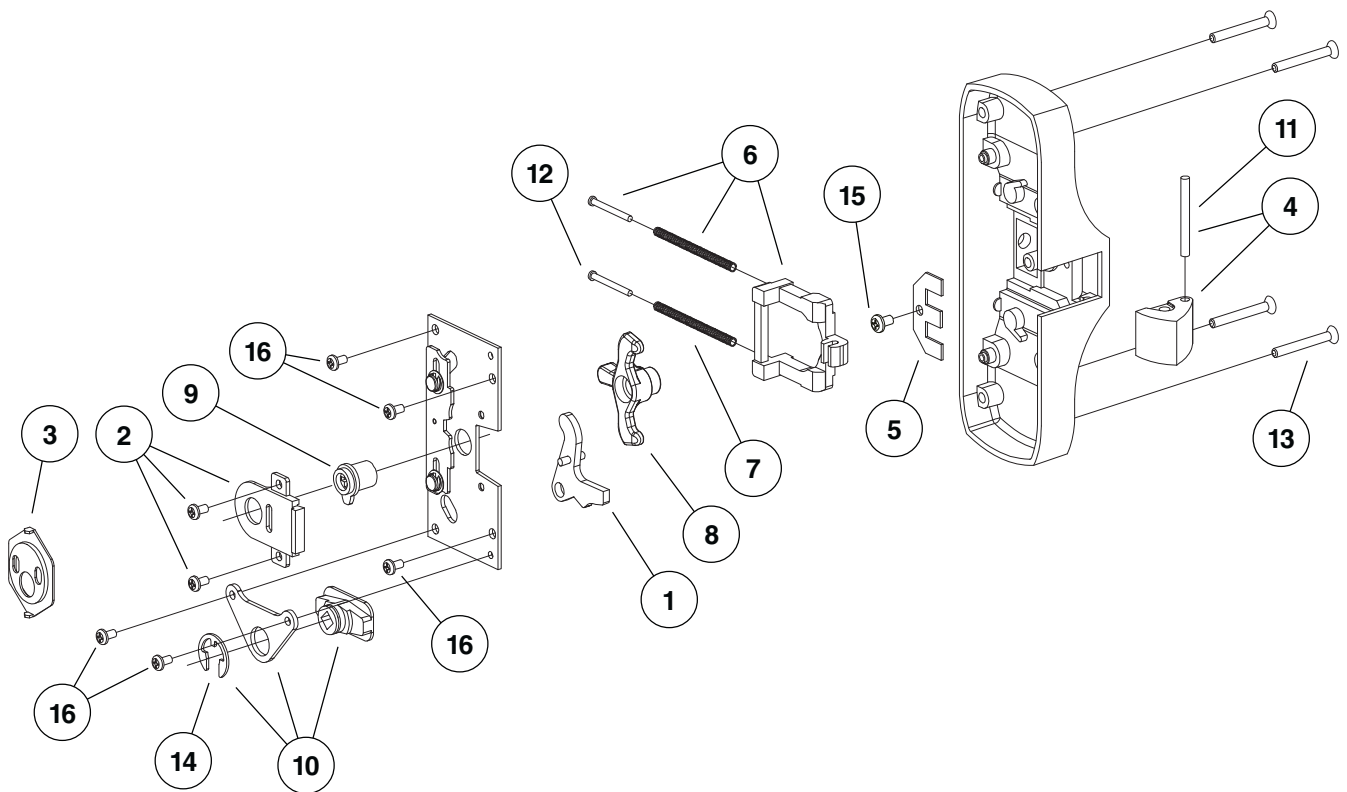
CENTER CASE PARTS: TP FIRE EXIT DEVICES

Item No.	Part No.	Description	Quantity	Finish
1	050019	88 Thumbpiece Lift Replacement Kit *	1	
2	050272	88-F Auxiliary Bolt Bushing	1	
3	050274	88-F Master Cam LH (shown)	1	
3	050273	88-F Master Cam RH (not shown)	1	
4	050276	88-F Auxiliary Bolt LH (shown)	1	
4	050275	88-F Auxiliary Bolt RH (not shown)	1	
5	050331	88 Cylinder Anchor Plate	1	
6	050498	88-F Latchbolt w/Axle Kit		
		88-F Rim Latchbolt	1	
		88 Rim Latchbolt Axle	1	
7	050499	88 Rim Latch Retainer Plate	1	
8	050393	88 Rim Latch Tail Spring Pkg.	10	
9	090001	88 Rim Latch Bolt Axle Pkg.	4	
10	090002	88 Rim Center Case Rivet Pkg.	10	
11	090009	88-F Rim Gravity Dog Spring Pkg.	5	
12	090017	88-F Auxiliary Bolt Return Spring Pkg.	5	
13	900503	88 Center or End Case Mtg. Pkg. (CS and MS screws)		X
		10-24 x 1-1/2" OPHMS	4	
		10-24 x 2" OPHMS	4	
		10-12 x 10-24 x 2" OPHCS	4	
13	900504	88 Center or End Case Mtg. Pkg. (CS screws)		X
		10-12 x 10-24 x 2" OPHCS	4	
13	900505	88 Center or End Case Mtg. Pkg. (MS screws 1-3/4" door)		X
		10-24 x 1-1/2" OPHMS	4	
13	900506	88 Center or End Case Mtg. Pkg. (MS screws 2-1/4" door)		X
		10-24 x 2" OPHMS	4	
14	900610	88 Rim Latch Retainer Plate Screw Pkg.		
		10-24 x 5/16" PPHMS Thd. Cut	10	
15	900613	88 Backplate Screw Pkg.		
		8-32 x 3/8" PPH TF	4	

X in "Finish" column designates finished item; specify finish when ordering.

* For 88TP-F devices shipped after June 2000; for devices shipped before June 2000, use replacement part No. 050107.

CENTER CASE PARTS: K/L PANIC EXIT DEVICES

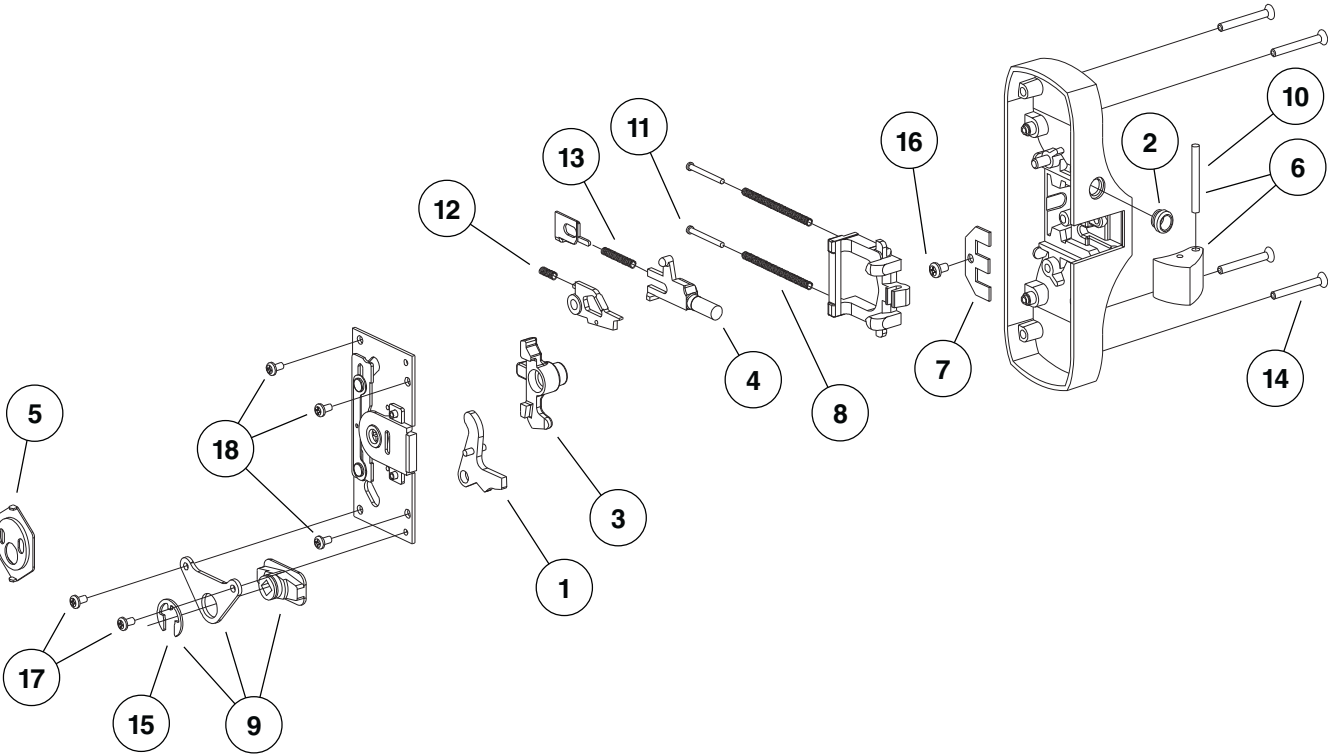


CENTER CASE PARTS: K/L PANIC EXIT DEVICES

Item No.	Part No.	Description	Quantity	Finish
1	050504	88K/L-F Knob Cam Lift	1	
2	050260	88 Rim Auxiliary Backplate		X
		88 Rim Auxiliary Backplate	1	
		8-32 x 5/16" PPHMS	2	
3	050331	88 Cylinder Anchor Plate	1	
4	050497	88 Latchbolt w/Axle Kit		
		88 Rim Latchbolt	1	
		88 Rim Latchbolt Axle	1	
5	050499	88 Rim Latch Retainer Plate	1	
6	050500	88 Rim Latch Tail, Spring, Rivet Kit		
		88 Rim Latch Tail Rivet	2	
		88 Rim Latch Tail Spring	2	
		88 Rim Latch Tail	1	
7	050393	88 Rim Latch Tail Spring Pkg.	10	
8	050501	88 Rim Master Cam	1	
9	050505	88K/L-F Cylinder Cam	1	
10	050506	88K/L-F Knob Cam Bracket Assy.	1	
11	090001	88 Rim Latch Bolt Axle Pkg.	4	
12	090002	88 Rim Center Case Rivet Pkg.	10	
13	900503	88 Center or End Case Mtg. Pkg. (CS and MS screws)		X
		10-24 x 1-1/2" OPHMS	4	
		10-24 x 2" OPHMS	4	
		10-12 x 10-24 x 2" OPHCS	4	
13	900504	88 Center or End Case Mtg. Pkg. (CS screws)		X
		10-12 x 10-24 x 2" OPHCS	4	
13	900505	88 Center or End Case Mtg. Pkg. (MS screws 1-3/4" door)		X
		10-24 x 1-1/2" OPHMS	4	
13	900506	88 Center or End Case Mtg. Pkg. (MS screws 2-1/4" door)		X
		10-24 x 2" OPHMS	4	
14	090015	88K/L-F Retaining Ring Pkg.	10	
15	900610	88 Rim Latch Retainer Plate Screw Pkg.		
		10-24 x 5/16" PPHMS Thd. Cut	10	
16	900613	88 Backplate Screw Pkg.		
		8-32 x 3/8" PPH TF	4	

X in "Finish" column designates finished item; specify finish when ordering.

CENTER CASE PARTS: K/L FIRE EXIT DEVICES



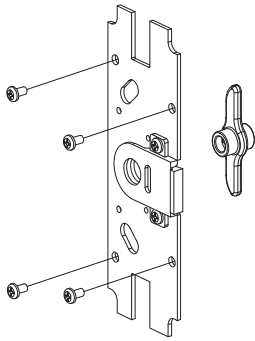
CENTER CASE PARTS: K/L FIRE EXIT DEVICES

Item No.	Part No.	Description	Quantity	Finish
1	050504	88K/L-F Knob Cam Lift	1	
2	050272	88-F Auxiliary Bolt Bushing	1	
3	050274	88-F Master Cam LH (shown)	1	
3	050273	88-F Master Cam RH (not shown)	1	
4	050276	88-F Auxiliary Bolt LH (shown)	1	
4	050275	88-F Auxiliary Bolt RH (not shown)	1	
5	050331	88 Cylinder Anchor Plate	1	
6	050498	88-F Latchbolt w/Axle Kit		
		88-F Rim Latchbolt	1	
		88 Rim Latchbolt Axle	1	
7	050499	88 Rim Latch Retainer Plate	1	
8	050393	88 Rim Latch Tail Spring Pkg.	10	
9	050506	88K/L-F Knob Cam Bracket Assy.	1	
10	090001	88 Rim Latch Bolt Axle Pkg.	4	
11	090002	88 Rim Center Case Rivet Pkg.	10	
12	090009	88-F Rim Gravity Dog Spring Pkg.	5	
13	090017	88-F Auxiliary Bolt Return Spring Pkg.	5	
14	900503	88 Center or End Case Mtg. Pkg. (CS and MS screws)		X
		10-24 x 1-1/2" OPHMS	4	
		10-24 x 2" OPHMS	4	
		10-12 x 10-24 x 2" OPHCS	4	
14	900504	88 Center or End Case Mtg. Pkg. (CS screws)		X
		10-12 x 10-24 x 2" OPHCS	4	
14	900505	88 Center or End Case Mtg. Pkg. (MS screws 1-3/4" door)		X
		10-24 x 1-1/2" OPHMS	4	
14	900506	88 Center or End Case Mtg. Pkg. (MS screws 2-1/4" door)		X
		10-24 x 2" OPHMS	4	
15	090015	88K/L-F Retaining Ring Pkg.	10	
16	900610	88 Rim Latch Retainer Plate Screw Pkg.		
		10-24 x 5/16" PPHMS Thd. Cut	10	
17	900613	88 Backplate Screw Pkg.		
		8-32 x 3/8" PPH TF	4	

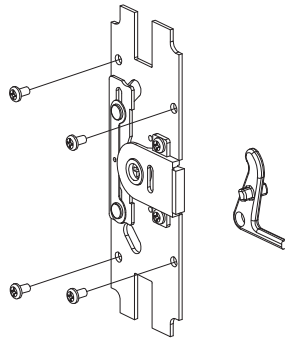
X in "Finish" column designates finished item; specify finish when ordering.

BACKPLATE CONVERSION KITS

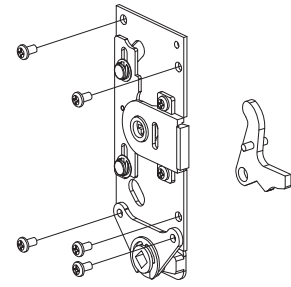
Specify Finish when Ordering Backplate Conversion Kits



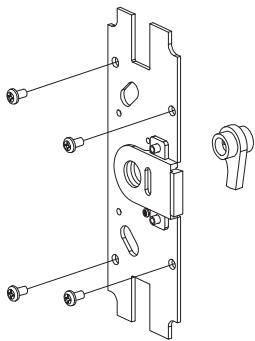
Description: 88CK-NL
Part No. 050101



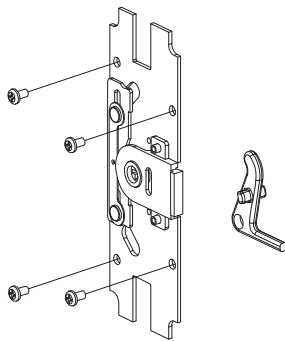
Description: 88CK-TP
Part No. 050102



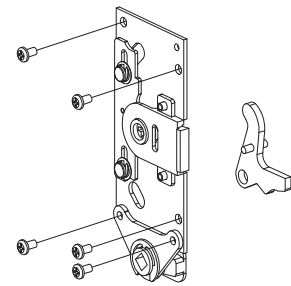
Description: 88CK-K/L
Part No. 050103



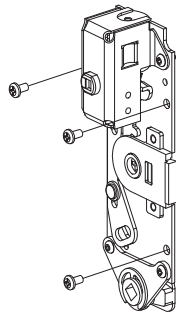
Description: 88CK-NL-F
Part No. 050106



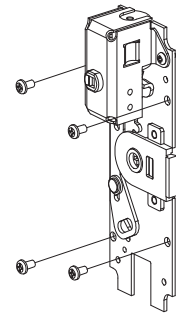
Description: 88CK-TP-F
Part No. 050107



Description: 88CK-K/L-F
Part No. 050108



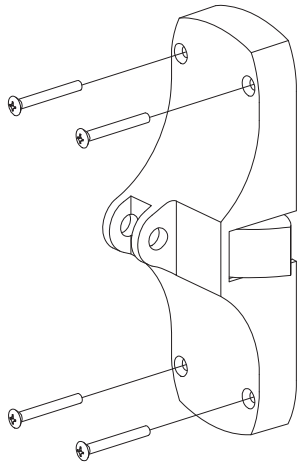
Description	Part No.
E88K RHR FSE 24VDC	050336
E88K LHR FSE 24VDC	050337
E88K RHR FS 24VDC	050338
E88K LHR FS 24VDC	050339
E88K RHR FSE 24VAC	050344
E88K LHR FSE 24VAC	050345
E88K RHR FS 24VAC	050346
E88K LHR FS 24VAC	050347



Description	Part No.
E88TP RHR FSE 24VDC	050341
E88TP LHR FSE 24VDC	050341
E88TP RHR FS 24VDC	050342
E88TP LHR FS 24VDC	050343
E88TP RHR FSE 24VAC	050348
E88TP LHR FSE 24VAC	050349
E88TP RHR FS 24VAC	050350
E88TP LHR FS 24VAC	050351

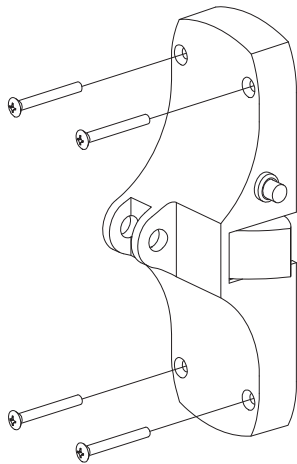
CENTER CASE KITS

Specify Finish when Ordering Center Case Kits



Panic Exit Device Center Case Kit
RHR shown

Description (Panic Exit Devices)	Part No.
88EO/DT/NL - - -	050409
88TP - - -	050410
88K/L RHR - -	050411
88K/L LHR - -	050412
E88K RHR FSE 24VDC	050336
E88K LHR FSE 24VDC	050337
E88K RHR FS 24VDC	050338
E88K LHR FS 24VDC	050339
E88K RHR FSE 24VAC	050344
E88K LHR FSE 24VAC	050345
E88K RHR FS 24VAC	050346
E88K LHR FS 24VAC	050347



Fire Exit Device Center Case Kit
RHR shown

Description (Fire Exit Devices)	Part No.
88EO-F/NL-F RHR - -	050424
88EO-F/NL-F LHR - -	050425
88TP-F RHR - -	050426
88TP-F LHR - -	050427
88K/L-F RHR - -	050428
88K/L-F LHR - -	05029
E88K-F RHR FSE 24VDC	050311
E88K-F LHR FSE 24VDC	050312
E88K-F RHR FS 24VDC	050313
E88K-F LHR FS 24VDC	050314
E88TP-F RHR FSE 24VDC	050315
E88TP-F LHR FSE 24VDC	050316
E88TP-F RHR FS 24VDC	050317
E88TP-F LHR FS 24VDC	050318
E88K-F RHR FSE 24VAC	050319
E88K-F LHR FSE 24VAC	050320
E88K-F RHR FS 24VAC	050321
E88K-F LHR FS 24VAC	050322
E88TP-F RHR FSE 24VAC	050323
E88TP-F LHR FSE 24VAC	050324
E88TP-F RHR FS 24VAC	050325
E88TP-F LHR FS 24VAC	050326

About Allegion

Allegion (NYSE: ALLE) creates peace of mind by pioneering safety and security. As a \$2 billion provider of security solutions for homes and businesses, Allegion employs more than 7,800 people and sells products in more than 120 countries across the world. Allegion comprises 23 global brands, including strategic brands CISA®, Interflex®, LCN®, Schlage® and Von Duprin®.

For more, visit www.allegion.com.

aptiQ ■ LCN ■ **SCHLAGE** ■ STEELCRAFT ■ VON DUPRIN